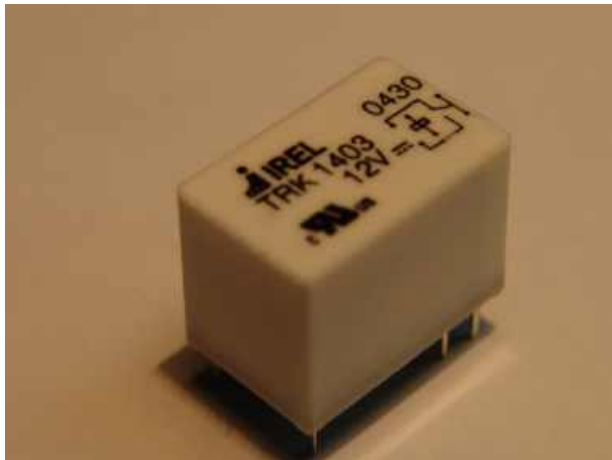


Miniature relay TRK 12, TRK 14

Last Updated: August 27, 2004
Data subject to alteration!



Small dimensions

Rated coil power 0.2 W or 0.45 W

Contact switching current 1.25 A or 3 A

Ambient temperature up to +70° C

Washable version Qc/2

Extinguishable casing V - 0

Direct instalation on PCB

Plastic bars packing

UL approval request

Contact data

Contact form	1 Change-over, 1 Make , 1 Break	
Contact material	AgNi10 + AuAg8 Ag Pd30 + AuAg8	AgNi10
Rated current	1.25 A	3 A
Max. operating voltage	120 V _{AC} , 120 V _{DC}	
Max. switching power	150 VA, 50 W	250 VA, 70 W
Min. switching load	10 µA, 10 mVDC	5V _{DC} , 100 mA
Contact resistance (new relay)	≤ 50 mW (10 mA, 30 mVDC)	≤ 100 mW (100 mA, 5V _{DC})
Max.operating frequency	1800 / h - rat. load 36000 / h - min. l.	600 / h - rat. load 36000 / h - min. l.
Capacitance cont.-cont.	≤1,5 pF	
Mechanical life	≥ 2 X 10 ⁷ operations	

Coil data

Coil rated voltage	Coil resistance at 20° C	Operative coil voltage range at 20° C		
		Must operate	Must release	U _{max}
Un (V _{DC})	Rn(W) ± 10%	Uop ≤ (V _{DC})	Ure ≥ (V _{DC})	(V _{DC})
Sensitive version - 0.2 W				
F 1.5	12	1.13	0.15	2.8
F 3	45	2.3	0.3	5.6
F 5	120	3.8	0.5	9.3
F 6	180	4.5	0.6	11
F 9	400	6.8	0.9	17
F 12	700	9.0	1.2	22
F 18	1620	13.5	1.8	33
F 24	2800	18.0	2.4	45
Standard version - 0.45 W				
1.5	6	1.1	0.15	2.2
3	20	2.1	0.3	4.4
5	56	3.5	0.5	7.3
6	80	4.2	0.6	8.7
9	180	6.3	0.9	13
12	320	8.4	1.2	17
18	720	12.6	1.8	26
24	1280	16.8	2.4	35

Coil data for energizing at 20° C

Rated power:	
sensitive - F	abt. 0.20 W
standard	abt. 0.45W
Max.coil temperature:	155° C
Thermal coil resistance:	
sensitive - F	abt. 220 K/W
standard	abt. 160 K/W
Operate voltage: (cold coil)	
sensitive - F	Uop ≤ 75% U _n
standard :	Uop ≤ 70% U _n
Release voltage:	Ure ≥ 10% U _n
Operative range:	1, IEC 61810-1

Other data

Test voltage (1 min.):	
contact- coil	≥ 1000 Vrms, 50 Hz
contact - contact	≥ 660 Vrms, 50 Hz
Rated impulse voltage (1,2/50 μs):	
contact- coil	≥ 1,5 kVimp
Overvoltage category:	II, IEC 60664-1
Degree of pollution:	2, IEC 60664-1
Operate time at Un:	
Release time:	abt. 4 ms
Bouncing time:	abt. 2 ms - make, abt. 10 ms - break
Insulation resistance (500 V _{DC}):	> 10 ³ MW
Vibrations resistance (10–200Hz):	10 g _r
Shock resistance (11 ms)	
functional:	10 g _r
destructive:	100 g _r
Ambient temperature	
for operating:	-40° C to +70° C
for storage:	-40° C to +85° C
Protection degree:	IP 67, IEC 529
Seal test:(1min)	Qc/2, IEC60068-2-17
Case extinguishing:	V-0, UL94
Mounting position:	as desired
Relay weight:	abt. 4.2 g



ISKRA-RELEJI d.d.
Štatenberg 88,
SI-2321 Makole
SLOVENIA

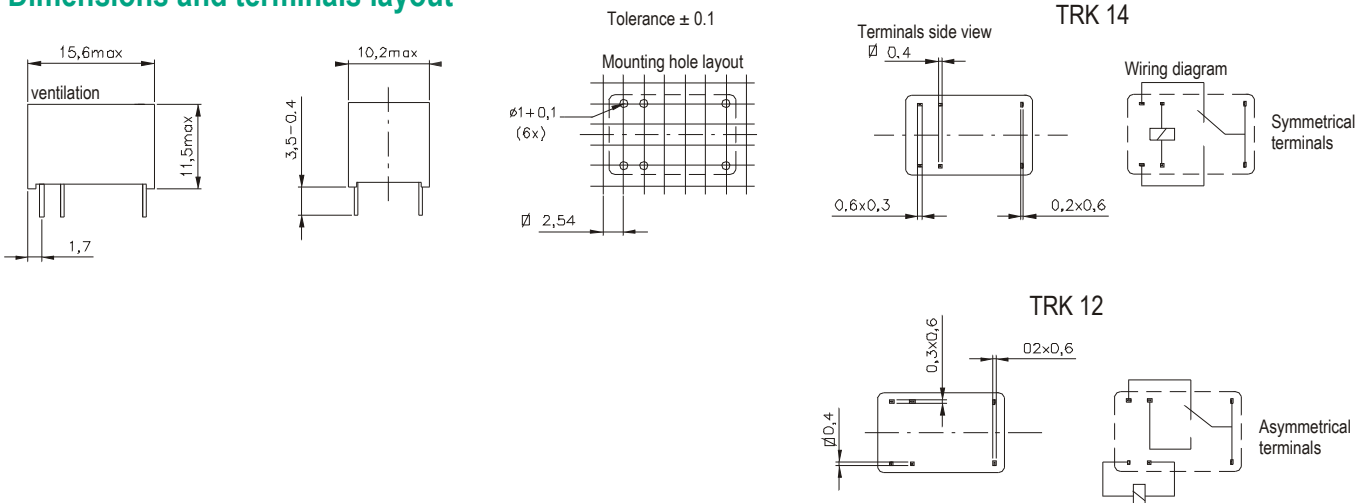
Tel.: ++386 2 803 10 10
Fax: ++386 2 803 10 33
E-mail: mail@iskra-releji.si

Commercial department
Tel.: ++386 2 803 10 20
Fax: ++386 2 803 10 21
E-mail: sales@iskra-releji.si

Web sites:
<http://www.iskra-releji.si>

Subject to technical alteration

Dimensions and terminals layout



Agent: